
OPTOCAM BodyCam

User Manual



This product has been manufactured and tested to the highest quality standards by Optronics Engineering Ltd and is free of defects in material and/or workmanship at the time of shipment.

Optronics Engineering Ltd warrants this product against defects in material or workmanship for the specified period (see below) from the original date of purchase. Optronics Engineering Ltd will repair (or at its option, replace with the same or comparable model) parts only or, any product or part of the product, which, on inspection by Optronics, is found to be defective in material and/or workmanship, under normal use and maintenance.

What this Warranty Does Not Cover? Optronics Engineering Ltd. is not responsible for any problem that is caused by improper installation, mishandling, misuse, negligence, accident, repair and/or alteration by anyone other than manufacturer authorized person.

Our limited warranty is void if a product is returned with removed, damaged or tampered labels or any alterations (including removal of any component or external cover).

Product:

Date:

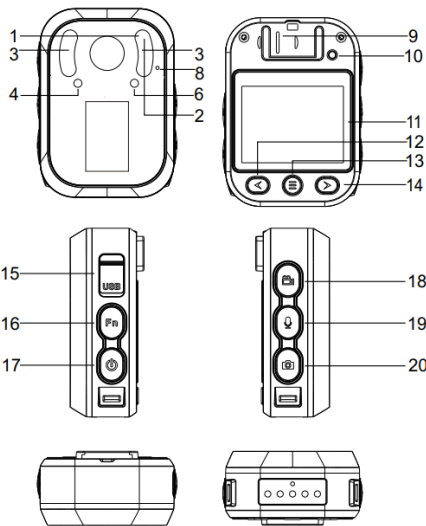
Warranty period:

Serial number:

Technical Specifications

Recording	
Video Resolution	Multiple Recording Resolution 1080P(30 FPS)/ 720P(30 FPS)
Video Format	.AVI
Recording Angle	Wide Angle 120 degrees
Audio	High Quality Built-in Microphone
Pre Record	Support
Water Mark	User ID, Time and date Stamp Embedded into Video.
Frame	30FPS
Video Duration	5 mins, 10 mins, 20 mins
Activation prompt	Vibrator & Speaker & LED Indicators
Photograph	
Camera	48MP
Camera Format	JPEG
Snap Shot	Capture Photos During Video Recording
Battery	
Type	Built-in 1800mAH Lithium (LiCoO2)
Charging Time	180 minutes
Battery Life	10 hours at 1080P@30

Others	
Storage Capacity	16G/32G/64G/128G
IR Light	6PCS 850nm Infrared LED with Wide Angle
Auto IR Control	Support
Night Vision	Up to 10 Meters
SOS LED	Blue and Red Flash Light
White LED	Support
Waterproof	IP66
Password Protection	Requires Password to Access to Video
Dimensions	76 mm x54 mm x26.5mm
Weight	100gr
Working Temperature	-20C° ~ 65C°
Storage temperature	-20C° ~ 65C°
Accessories	
Standard Accessories	USB Cable, Charger, Clip



1. Charging Indicator

2.Power Indicator

3.Infrared LED x 6

4.Red SOS LED

5.White LED(N/A)

6.Blue SOS LED

7.Auto IR Detector

8.Microphone

9.Speaker

10.Reset Button

11.LCD Screen

12.Left

13. Confirm/ Menu/ Playback

14.Right

15.USB

16.IR Button

17.Power Button

18.Video Button

19.Audio/ SOS Button

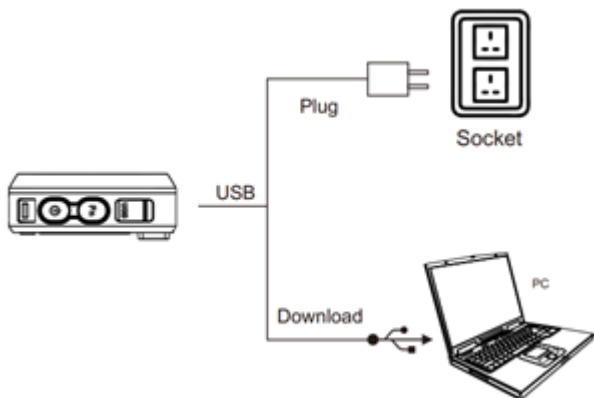
20.Photo/ Back Button

No.	Item	Function
1	Charging LED	During charging, this indicator is in blue. After finish, the blue light will be off.
2	Power LED	Green - Standby Mode Red Video Recording Orange - Audio Recording
3	IR LED	In the night vision, IR LED helps to get a clear videos without colour. Short press Fn button to activate.
4&6	SOS LED	Long press Audio/SOS button to activate the SOS LED. Blue and Red LED will flash in rotation.
5	White LED	N/A
8	Microphone	Microphone is waterproof, but make sure to clean the dust and water when necessary
10*	Reset Button	After press, the camera will be turn off. (It won't clear the data and settings)
11	LCD Screen	2.0 TFT LCD Screens helps to video preview and playback. During working status press Power button to turn if off.
12	Left Button	During standby mode, press left to zoom in. During playback, press left to rewind. In other situations, it is for up and left.☒
14	Right Button	During standby mode, press right to zoom out. During playback, press left to fast forward. In other situations, it is for down and right.
13*	Confirm/Menu Playback	Under preview mode, short press to enter menu, or long press to enter playback page. In other situations, this button is pressed to enter.

16	Fn Button	Under preview mode or video recording, short press to turn on IR LED, or long press to turn on white LED.
18	Video Button	Short press to start video recording, or long press to record a important video.
20*	Photo Button	Under preview mode or video recording, press to take a photo. In other situations, this button is pressed to return.

Note: Please pay attention to the items with “ * ”.

Charging & Downloading

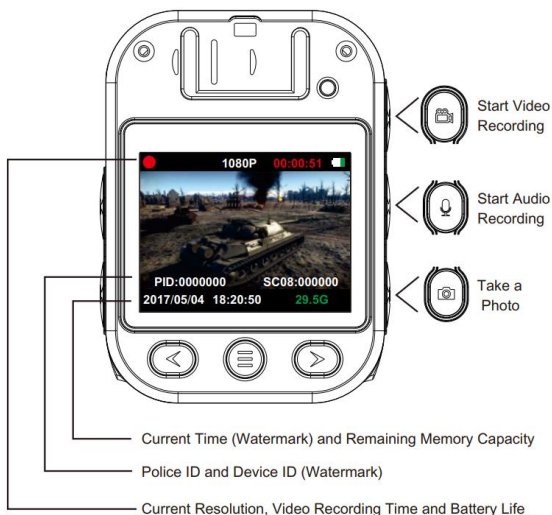


Before connect camera to USB, make sure the power voltage is not more than 5.5V. Otherwise, it will do harm to battery and burn the camera. Please use our standard charger and cord.

Quickstart

Hold and press power button  for 2 seconds to turn on camera.

The unit will emit ONE audio chirp and long vibration. A green indicator on top of the unit will turn on and remain green while the unit is powered on.



To record a video, press the “Recording” button. The unit will emit 1 audio chirps and 1 vibration. A red working indicator on top of the device will turn on and remain red until recording is ended.

FAQ

Failure	Diagnose	Solution
Can not Power On	No Power	Charge camera for at least 3 hours.
	Protection Mode	Press Reset button, and restart camera
	Protection Mode	Connect Camera to PC via USB, and charge it for 30 mins.
Short Working Time	Battery Power is not enough	① First time or did not use for a long time, please discharge the battery, then charge it for at least 3 hours before use it. ② Don't charge the camera when too hot/cold.
Data Transfer is not stable	Power of USB is not enough to afford charging and download	① Use other USB port on your laptop. ② Use the dock station.
Computer can not recognize the device	USB Cable	Change the USB cord
	Forget Password	Contact your seller to reset password

The information in this manual furnished for information use only is subject to changes without notice, is not to be construed as a commitment by Optronics Engineering.

Optronics Engineering assumes no responsibility or liability for any errors or inaccuracies that may appear in this book.

Contact Information:

Optronics Engineering Ltd.

Office: 4 Hamasger st.

Ra'anana, 4365302, Israel

Mail: PO Box 327

Shefayim 6099000, Israel

Email: support@optocamtsr.com

Phone: +972-97730247

Fax: +972-97730248